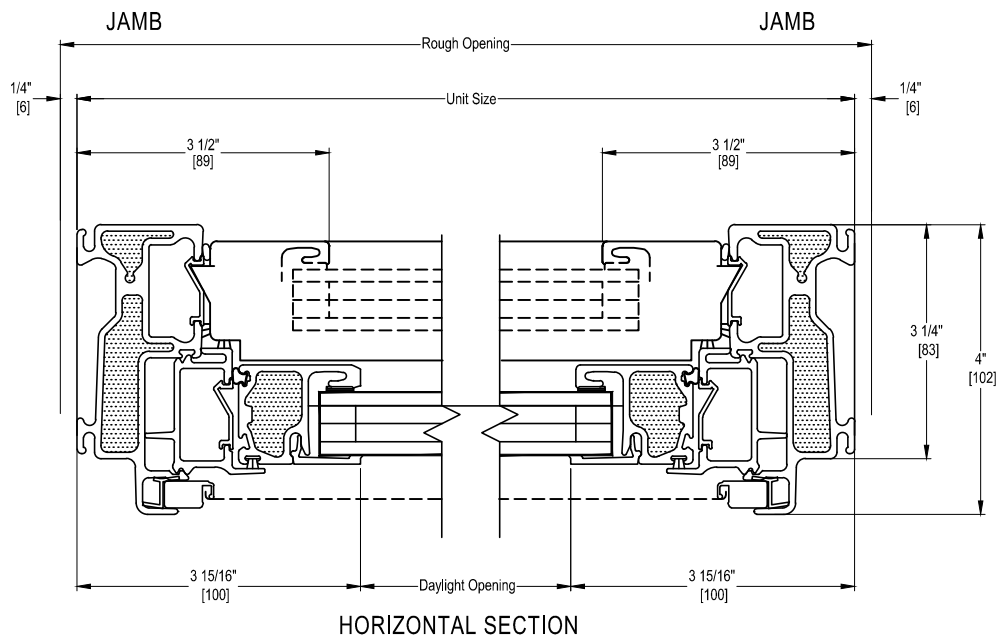
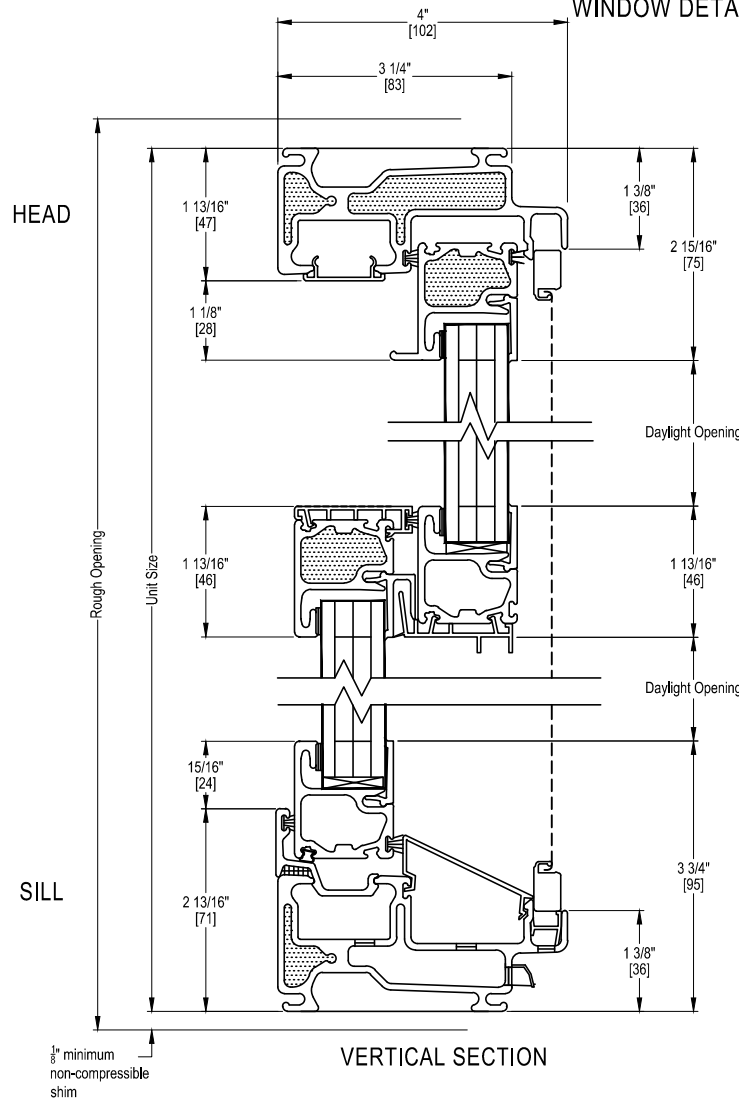
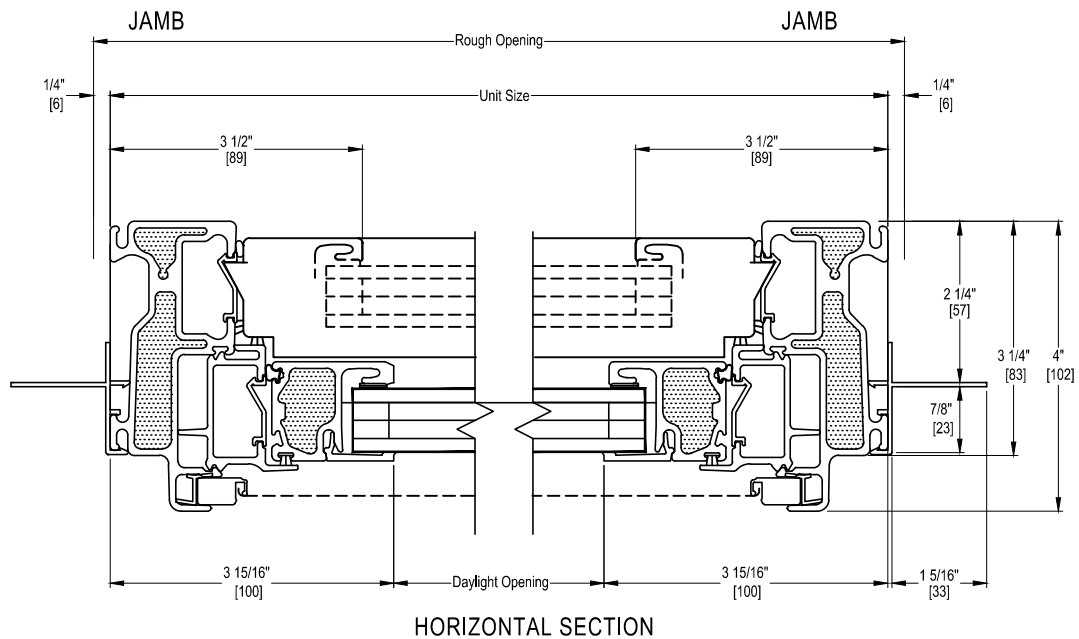
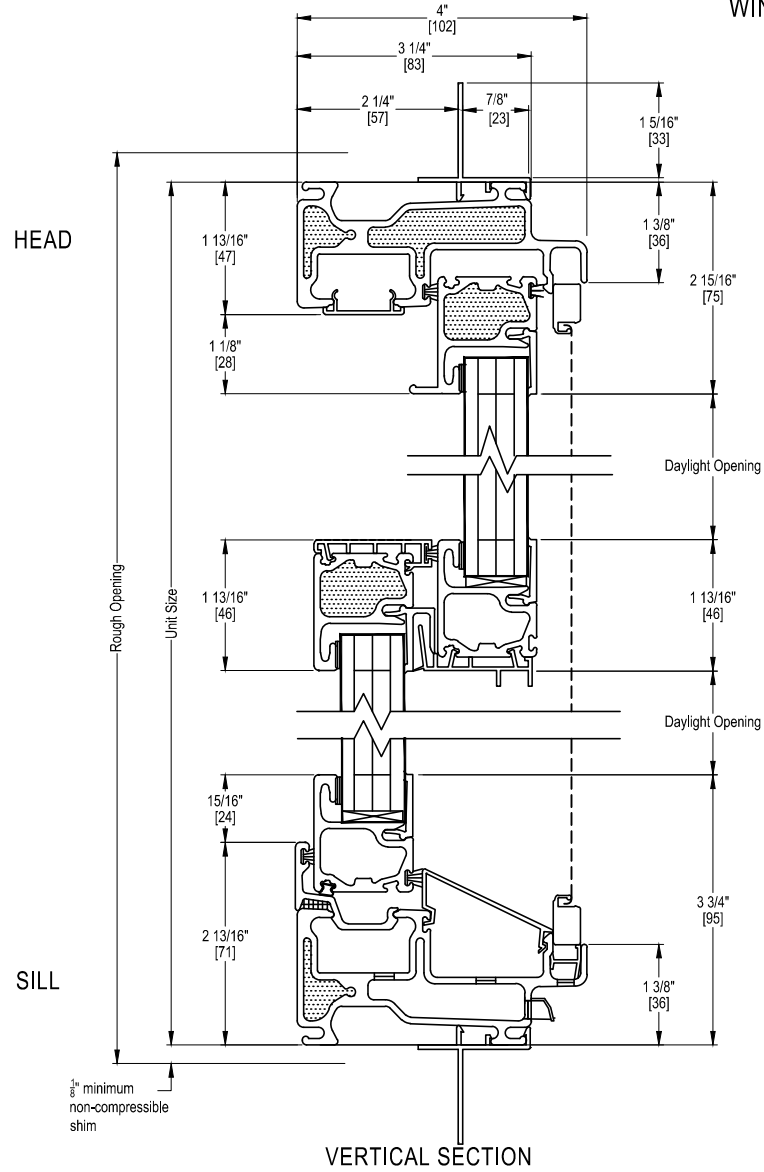
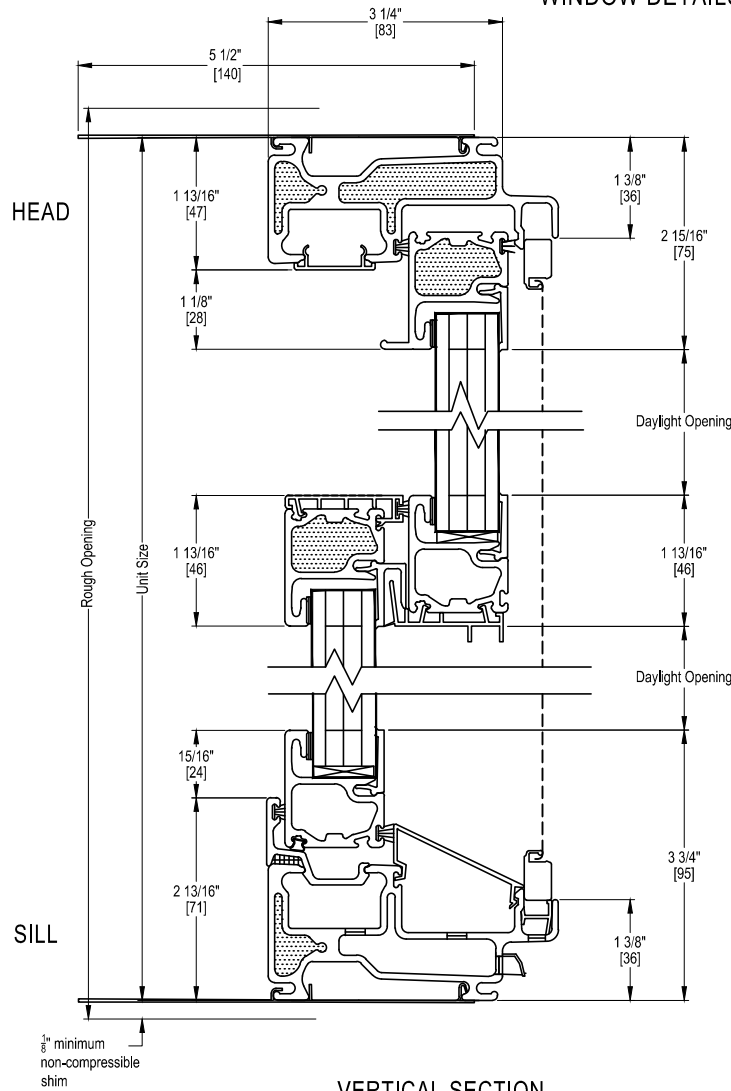


WINDOW DETAILS: SECTIONS AND DIMENSIONS

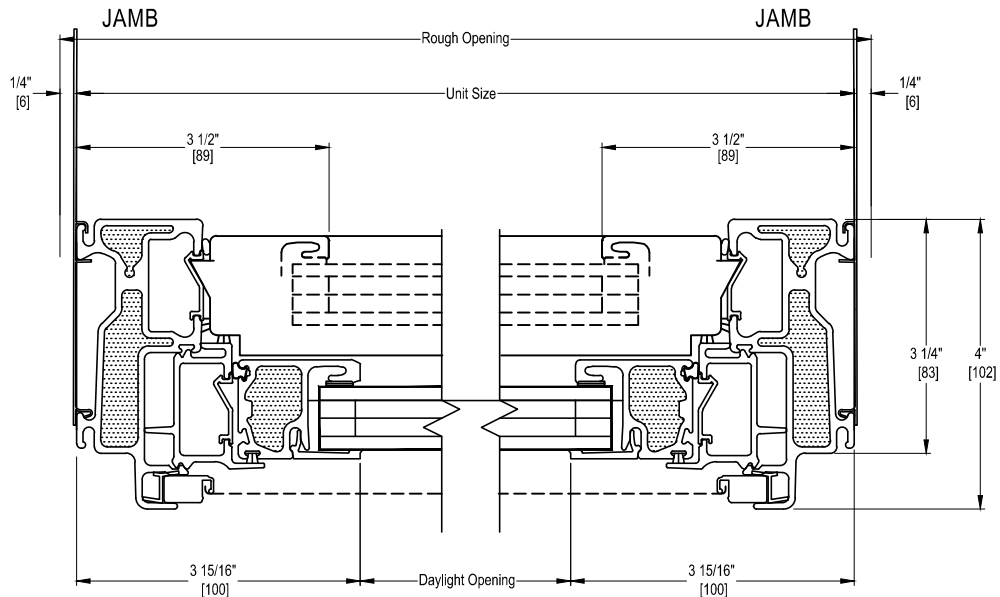




WINDOW DETAILS: FIELD APPLIED ANCHOR STRAPS

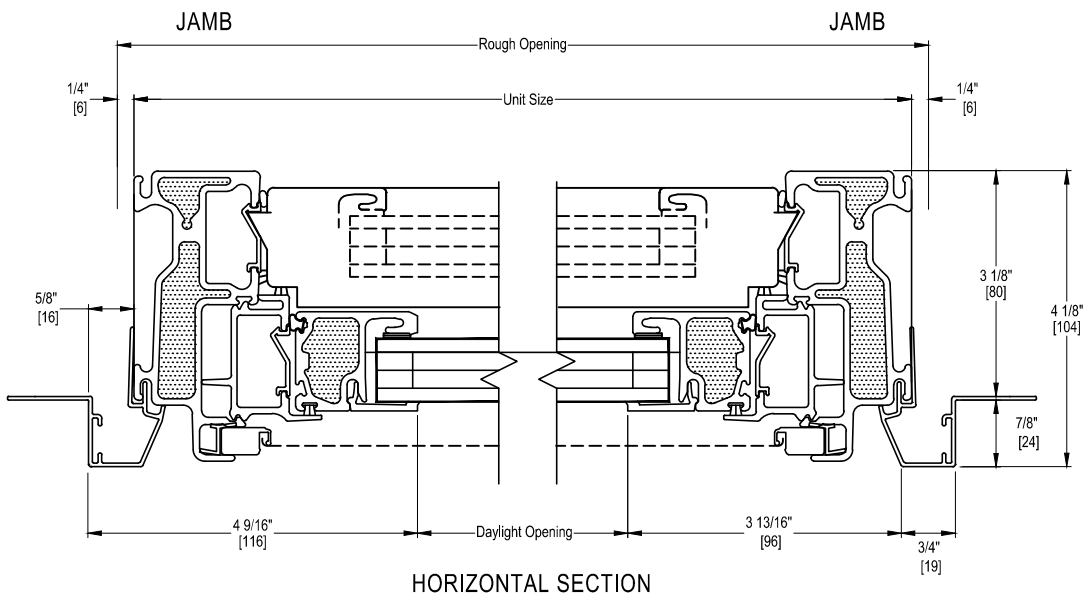
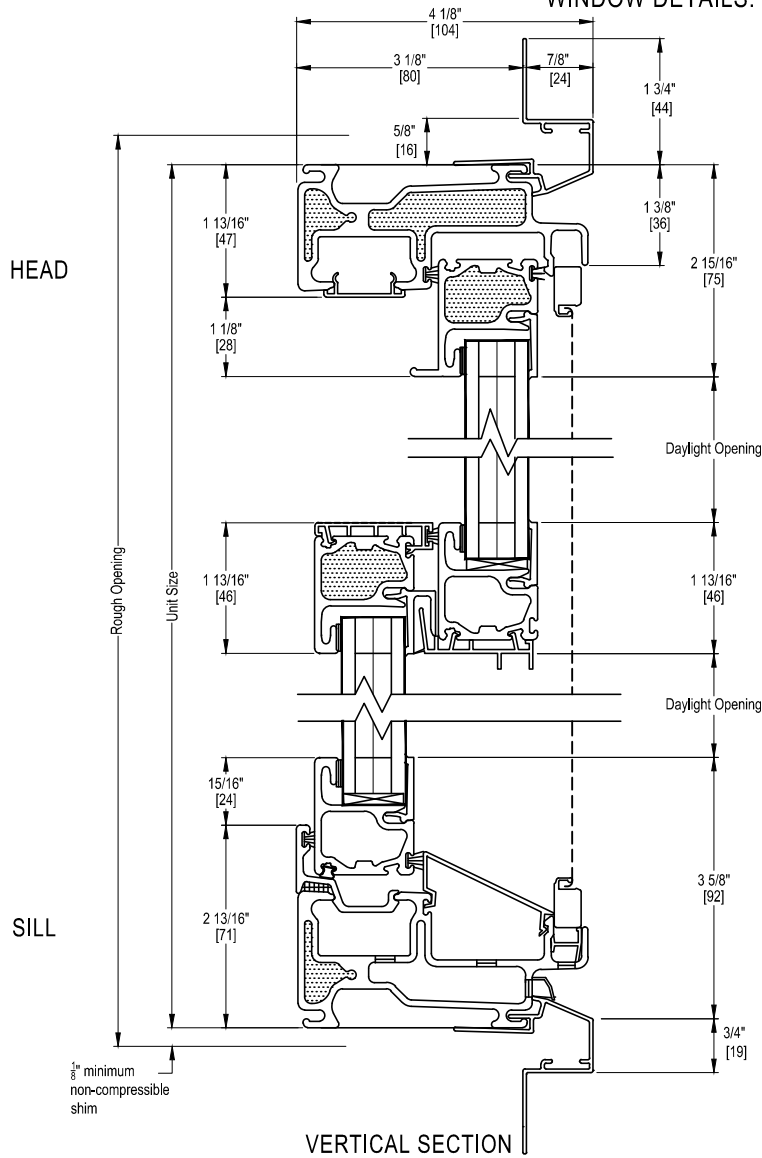


VERTICAL SECTION

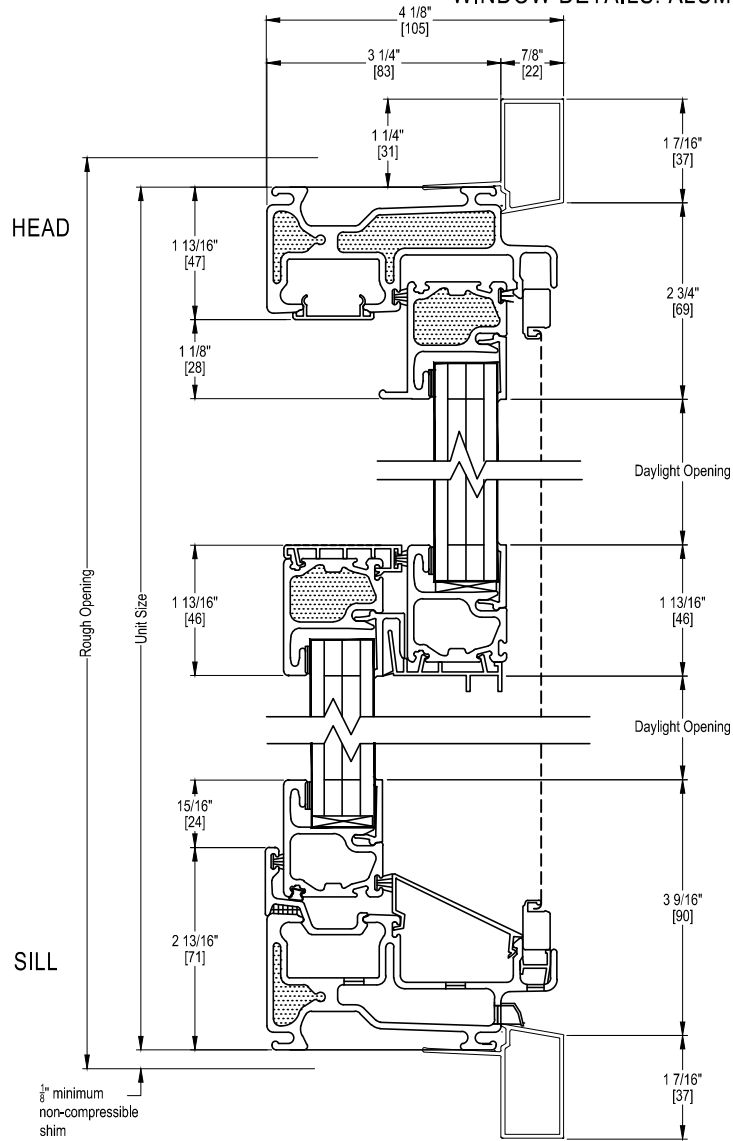


HORIZONTAL SECTION

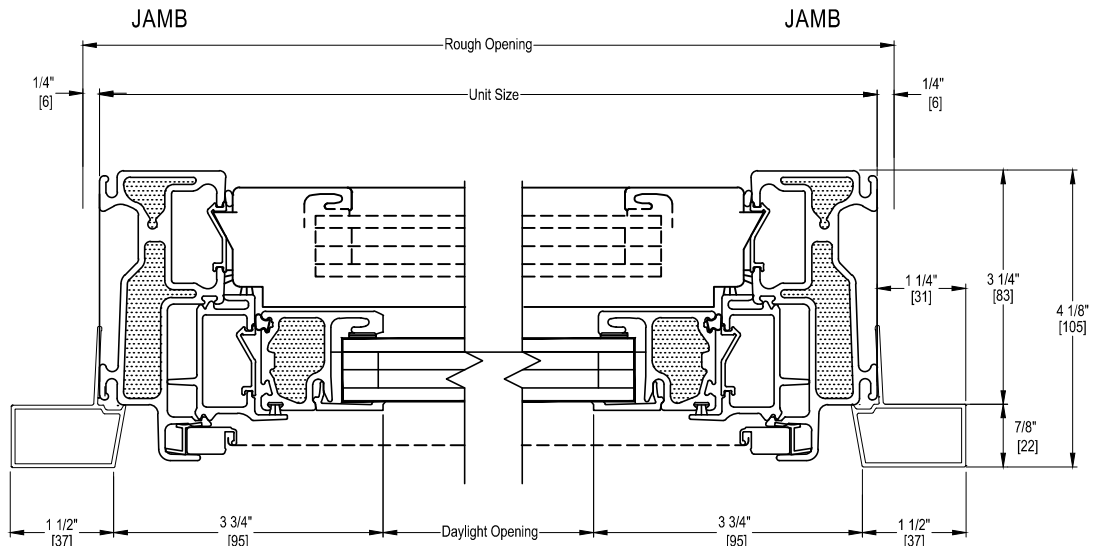
WINDOW DETAILS: ALUMINUM BRICKMOULD WITH FIN



WINDOW DETAILS: ALUMINUM BRICKMOULD WITHOUT FIN



VERTICAL SECTION



HORIZONTAL SECTION