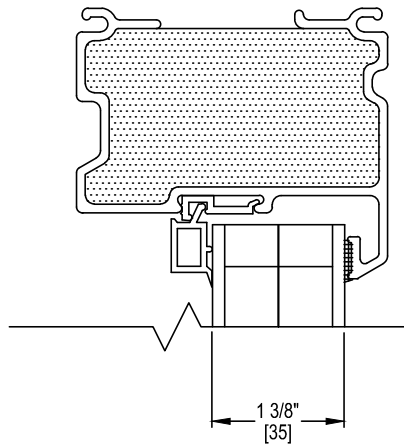
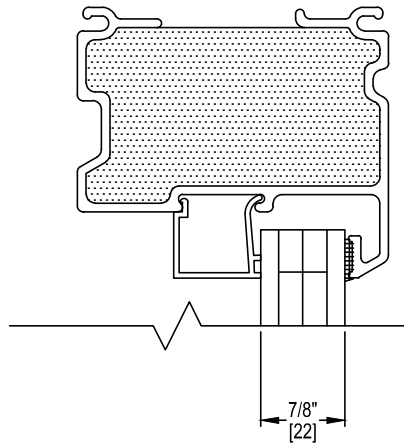


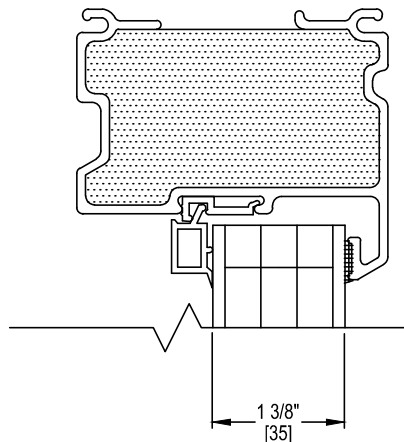
WINDOW DETAILS: GLAZING OPTIONS



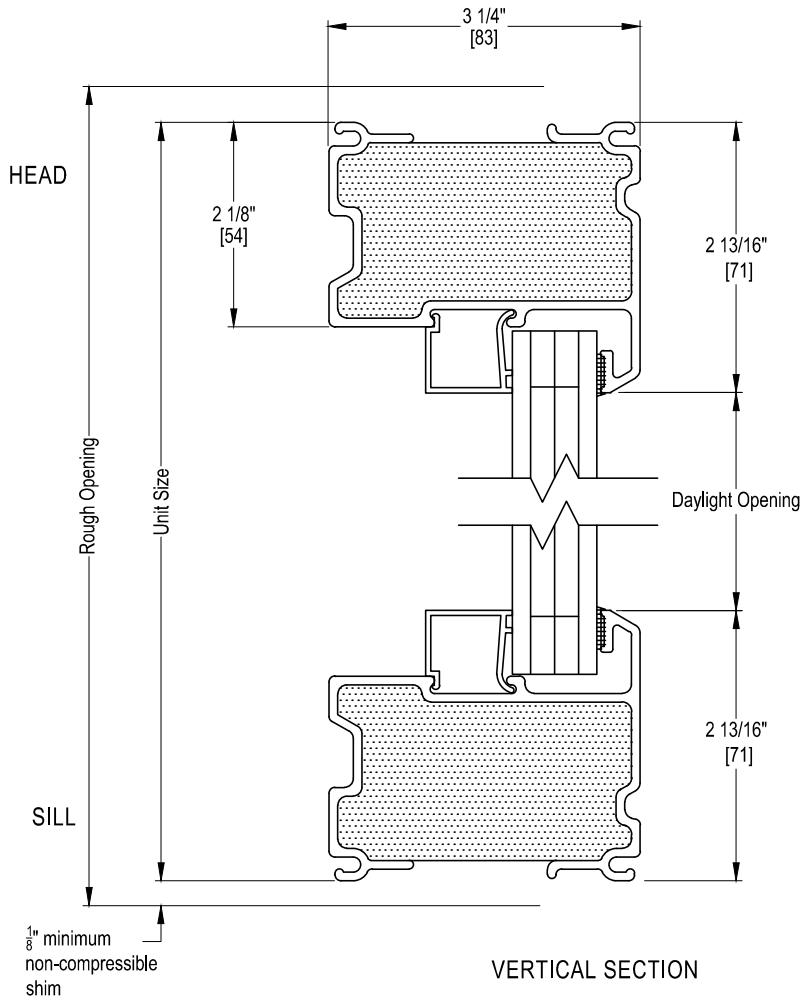
525 SERIES
DUAL PANE WITH 1 SHG FILM
ARGON GAS FILL



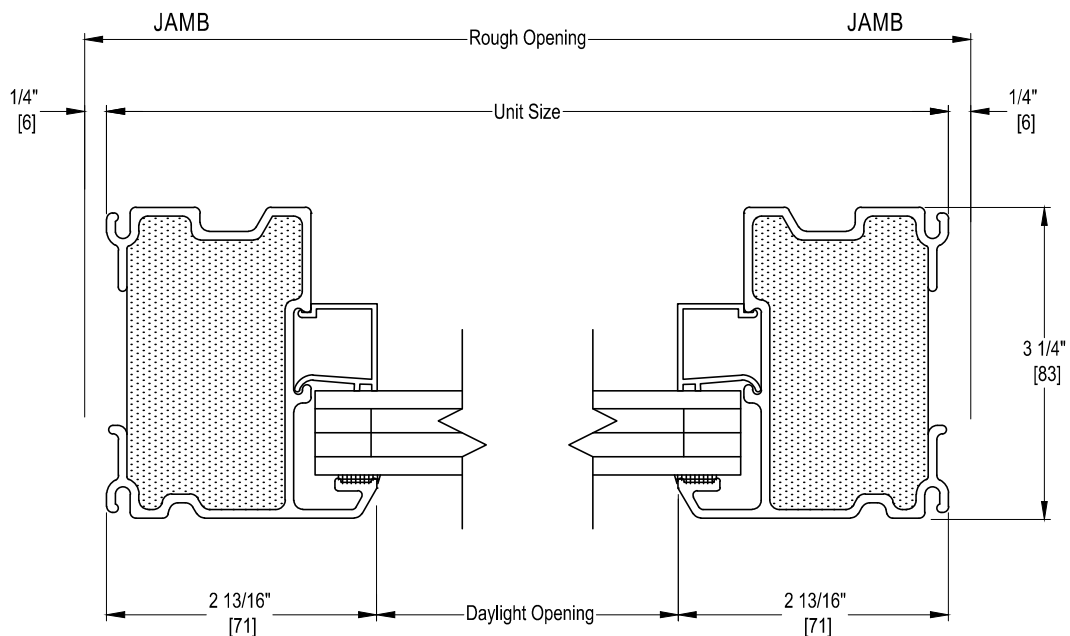
725 SERIES
DUAL PANE WITH 1 SHG FILM
KRYPTON GAS FILL



925 SERIES
DUAL PANE WITH 2 SHG FILM
KRYPTON GAS FILL



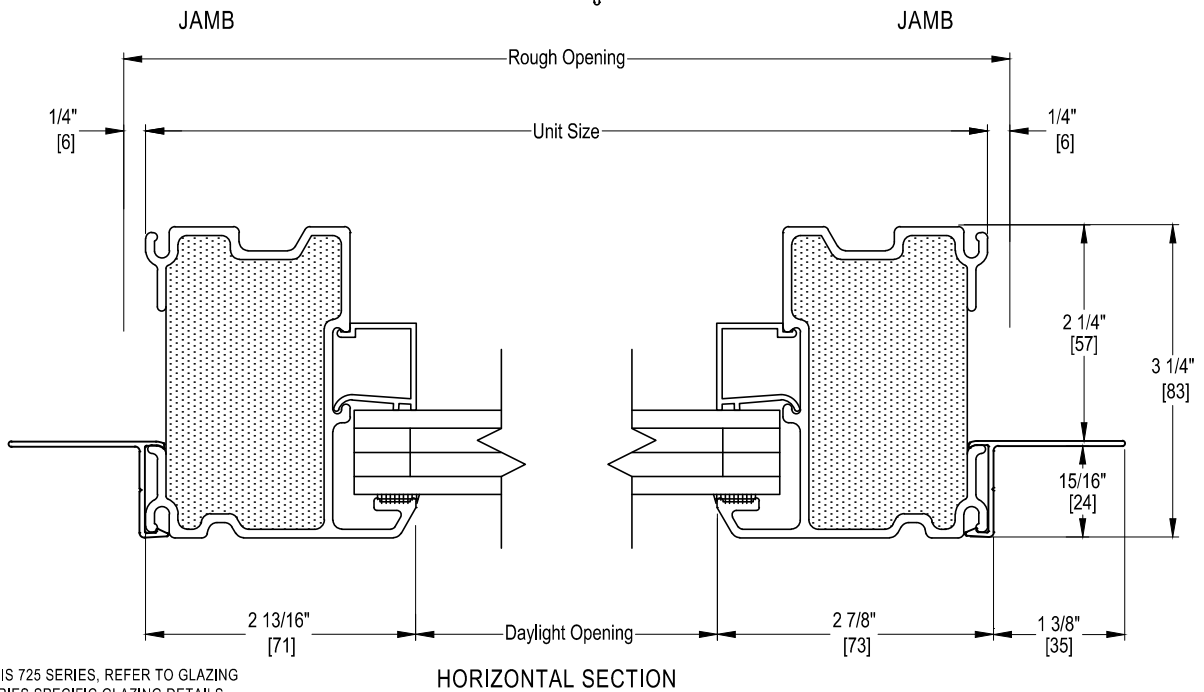
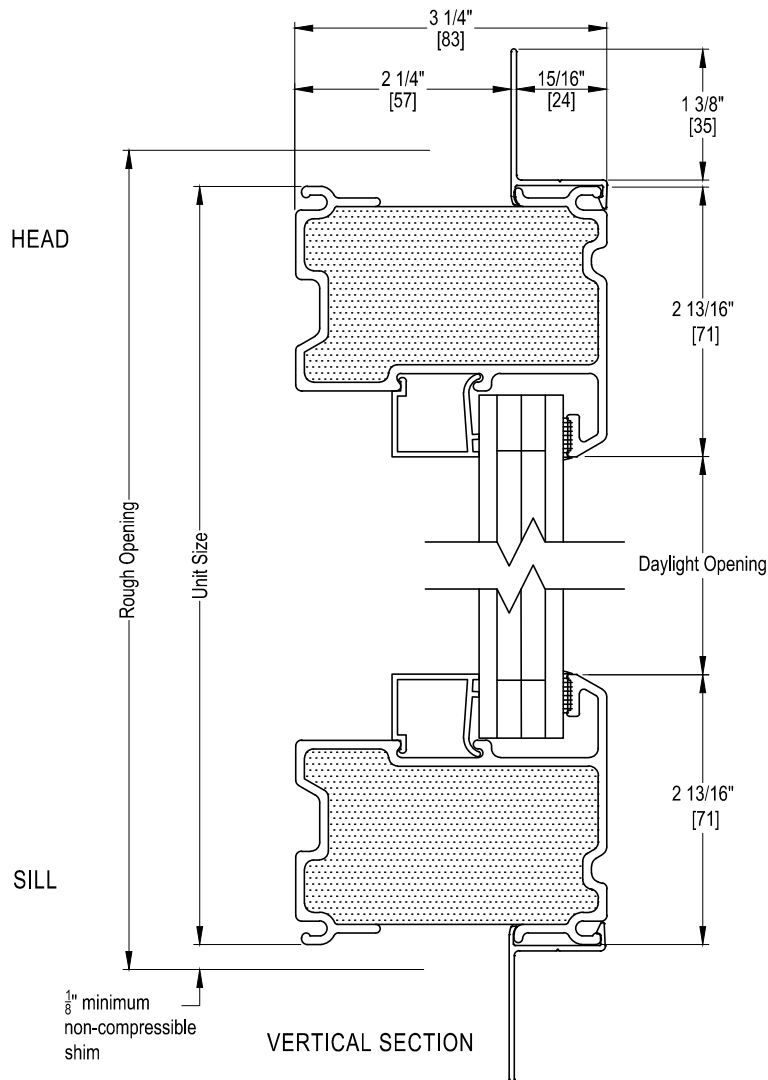
VERTICAL SECTION



HORIZONTAL SECTION

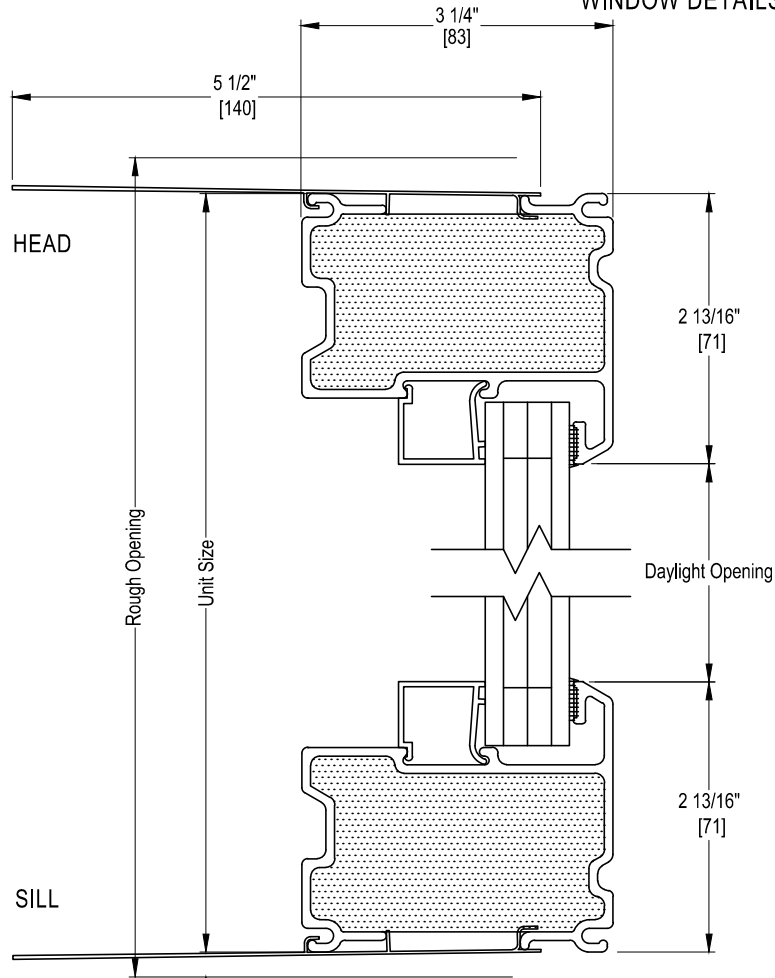
GLAZING SHOWN IS 725 SERIES, REFER TO GLAZING OPTIONS FOR SERIES SPECIFIC GLAZING DETAILS.

WINDOW DETAILS: NON INTEGRAL ALUMINUM NAIL FIN

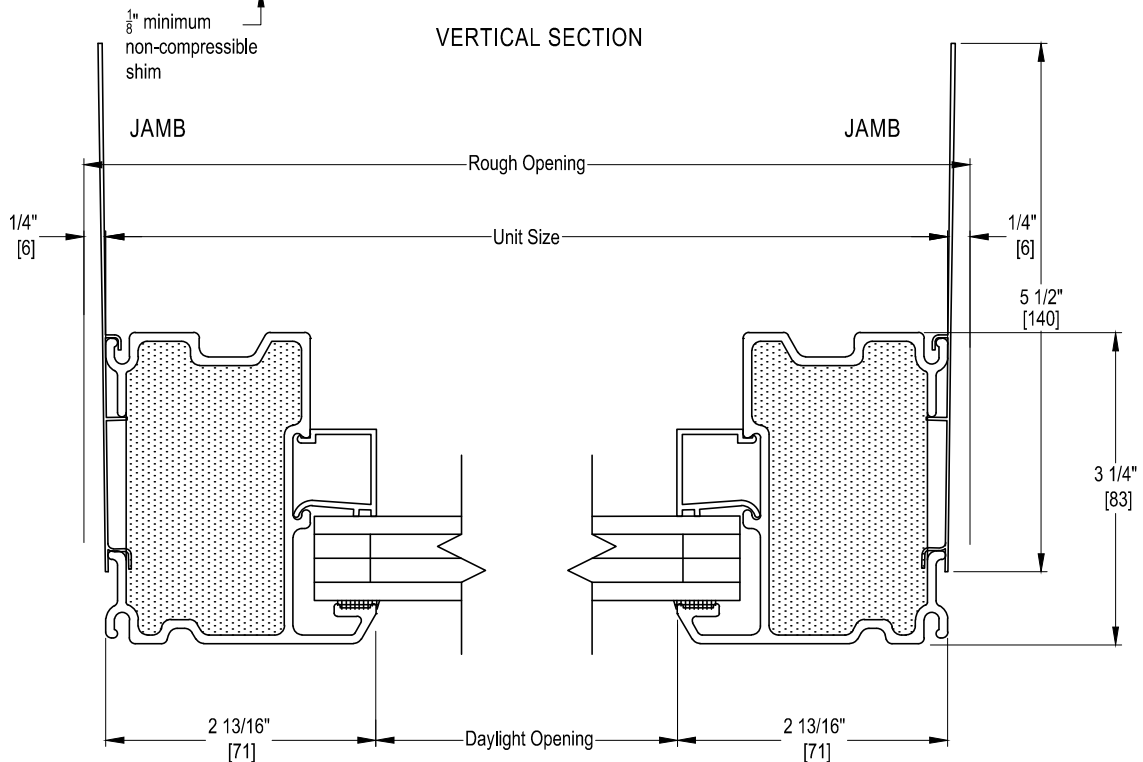


GLAZING SHOWN IS 725 SERIES, REFER TO GLAZING OPTIONS FOR SERIES SPECIFIC GLAZING DETAILS.

WINDOW DETAILS: FIELD APPLIED ANCHOR STRAPS



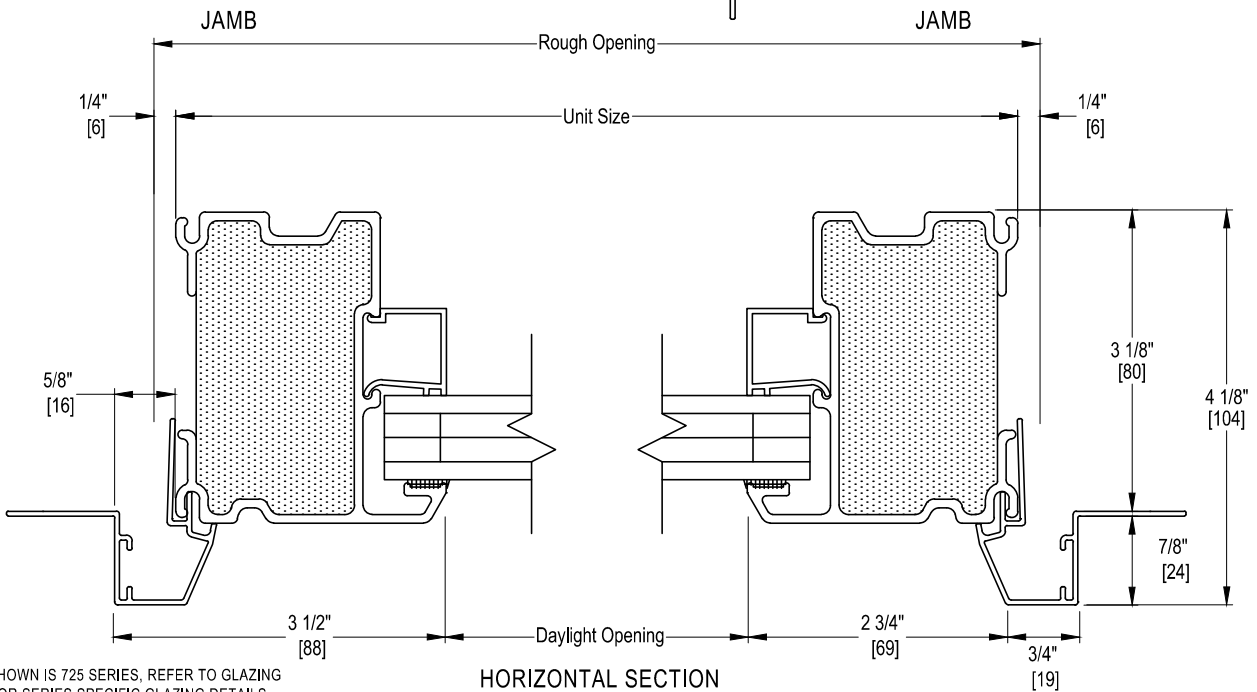
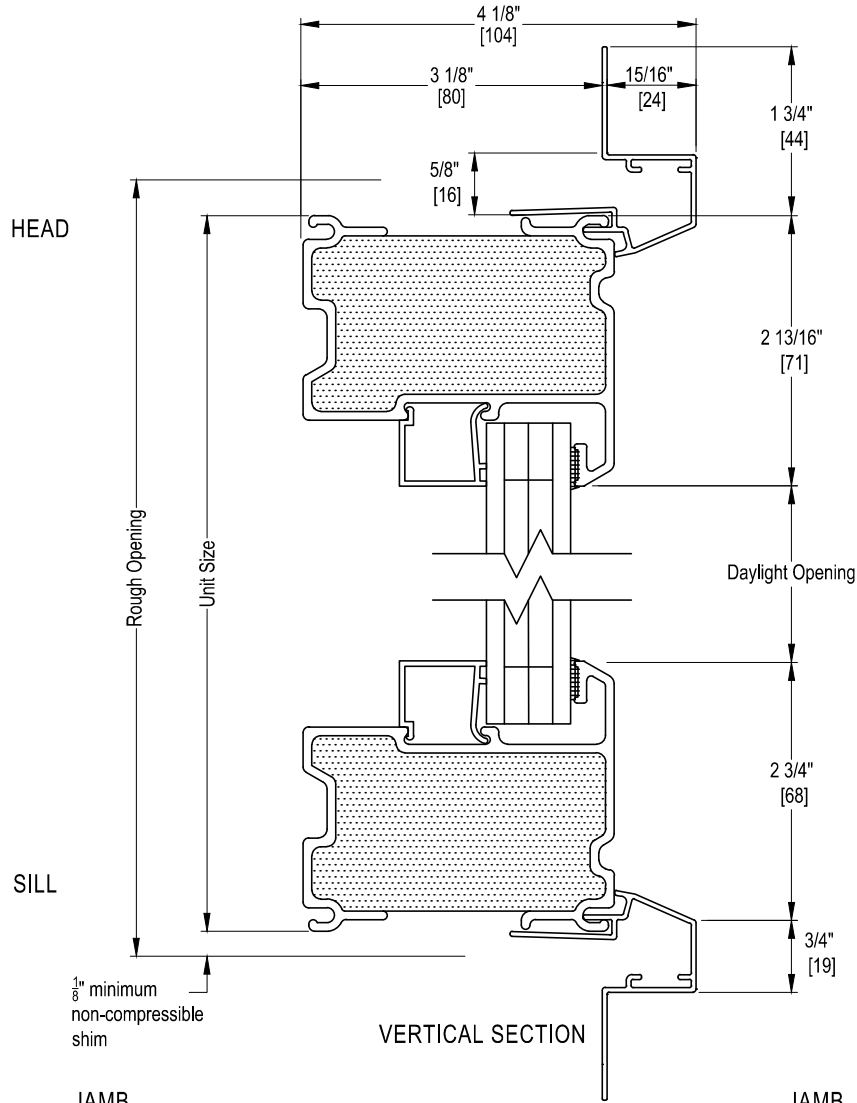
VERTICAL SECTION



HORIZONTAL SECTION

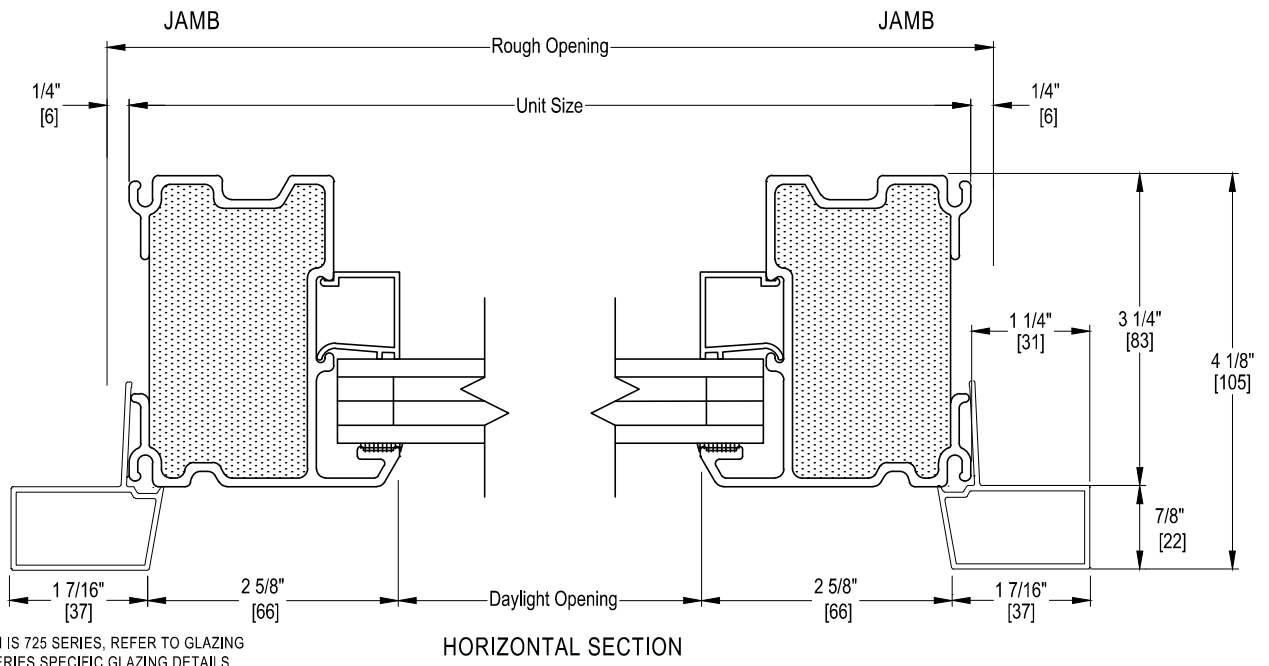
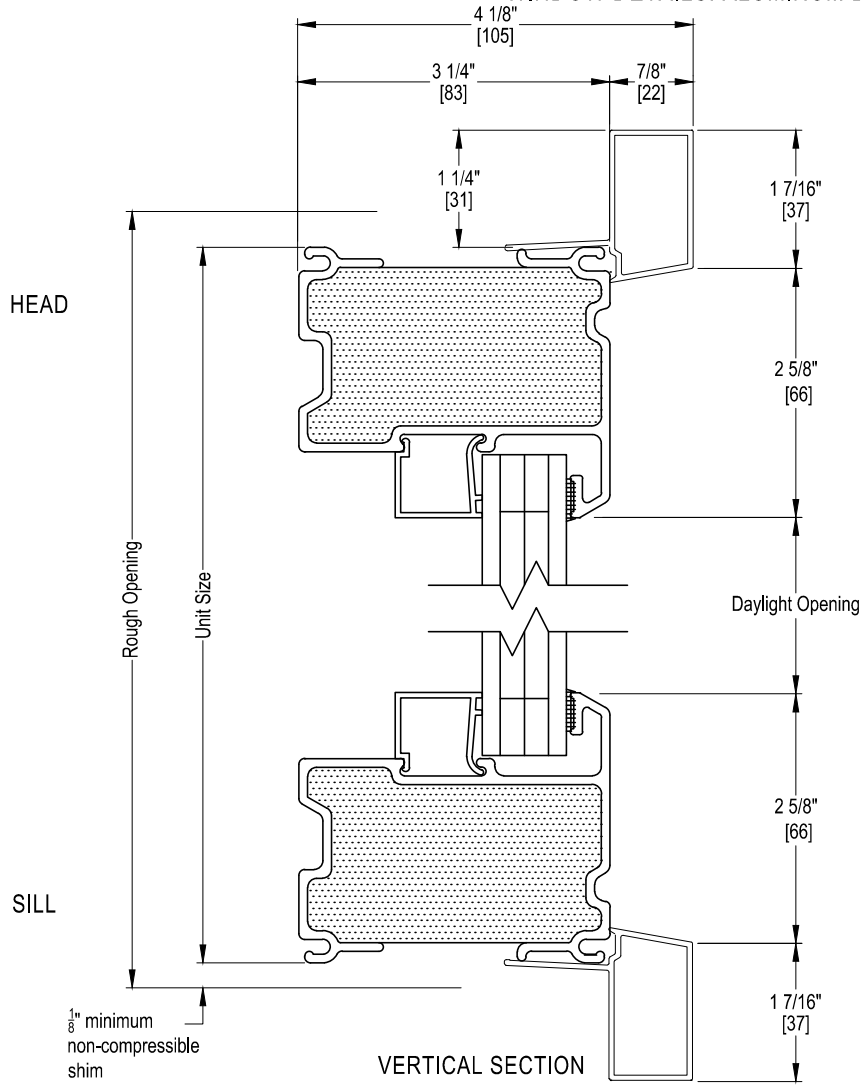
GLAZING SHOWN IS 725 SERIES, REFER TO GLAZING OPTIONS FOR SERIES SPECIFIC GLAZING DETAILS.

WINDOW DETAILS: ALUMINUM BRICKMOULD WITH FIN



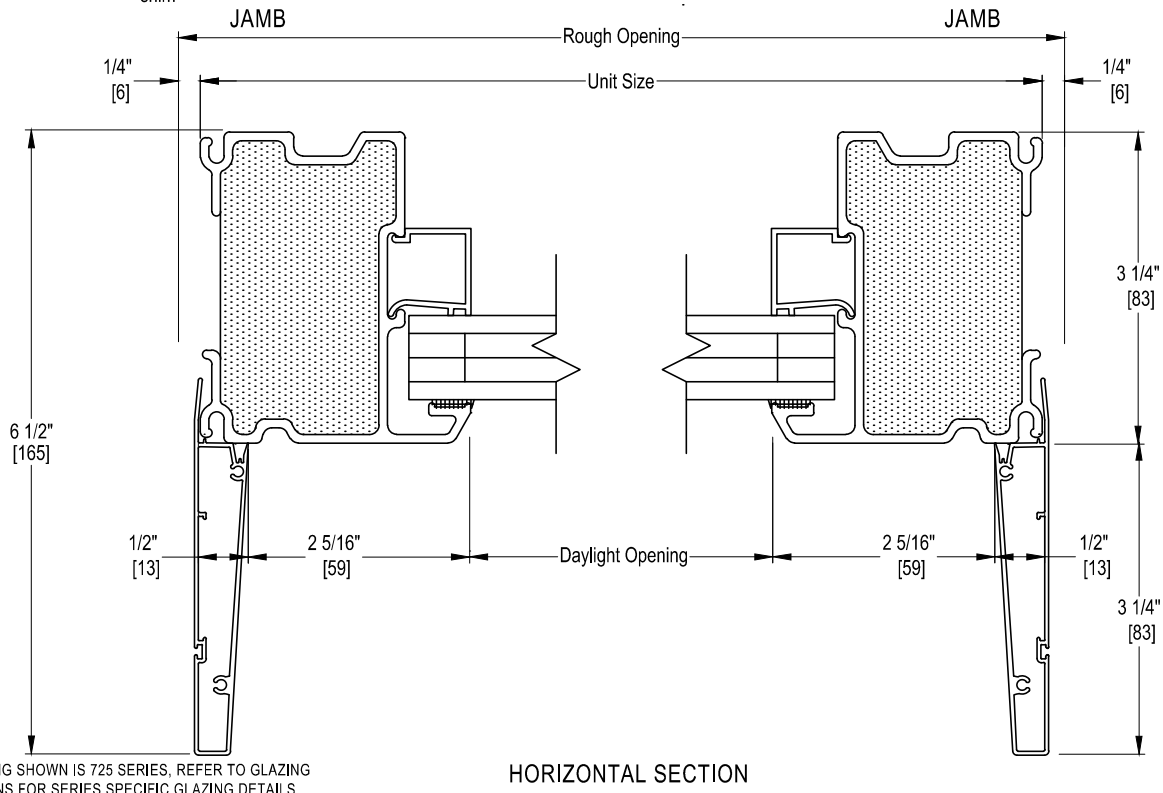
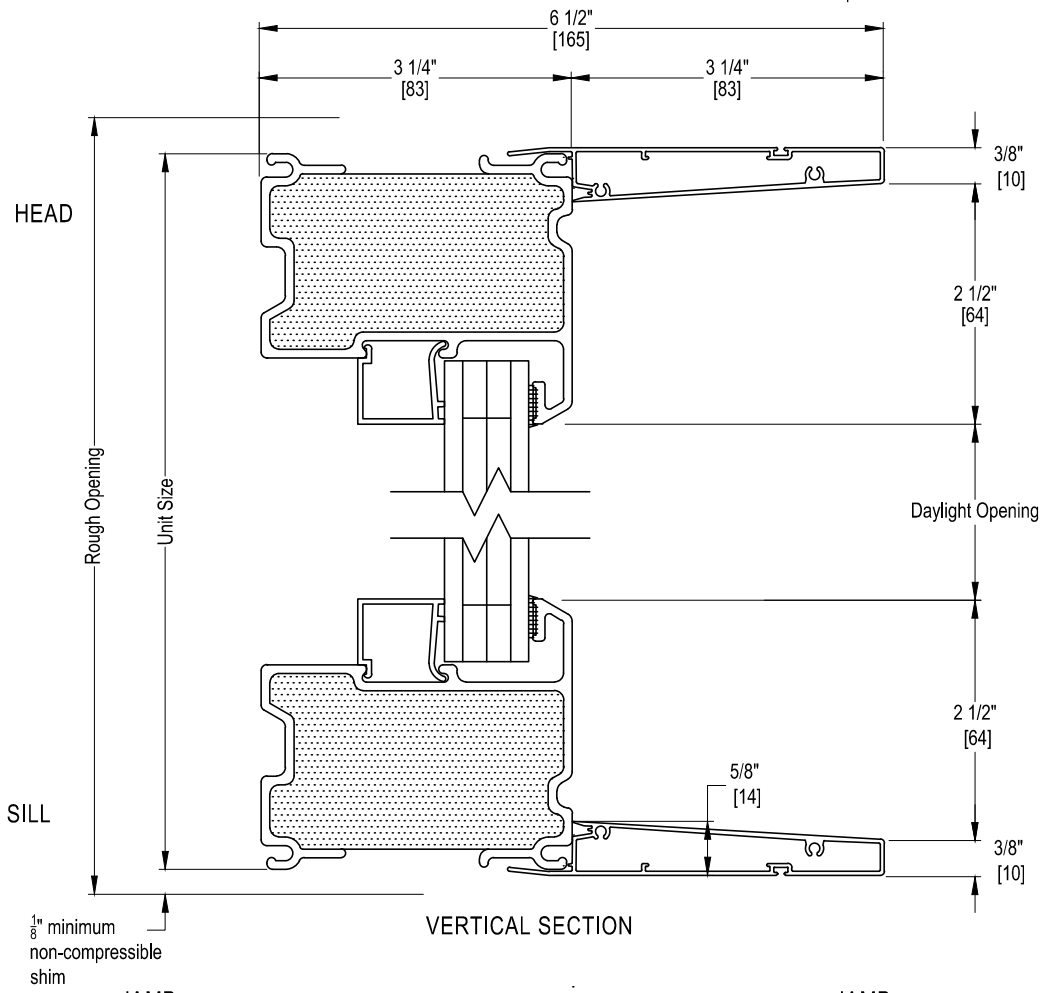
GLAZING SHOWN IS 725 SERIES, REFER TO GLAZING OPTIONS FOR SERIES SPECIFIC GLAZING DETAILS.

WINDOW DETAILS: ALUMINUM BRICKMOULD WITHOUT FIN



GLAZING SHOWN IS 725 SERIES, REFER TO GLAZING OPTIONS FOR SERIES SPECIFIC GLAZING DETAILS.

WINDOW DETAILS: 3 1/4" EXTERIOR FRAME EXTENDER



GLAZING SHOWN IS 725 SERIES, REFER TO GLAZING OPTIONS FOR SERIES SPECIFIC GLAZING DETAILS.