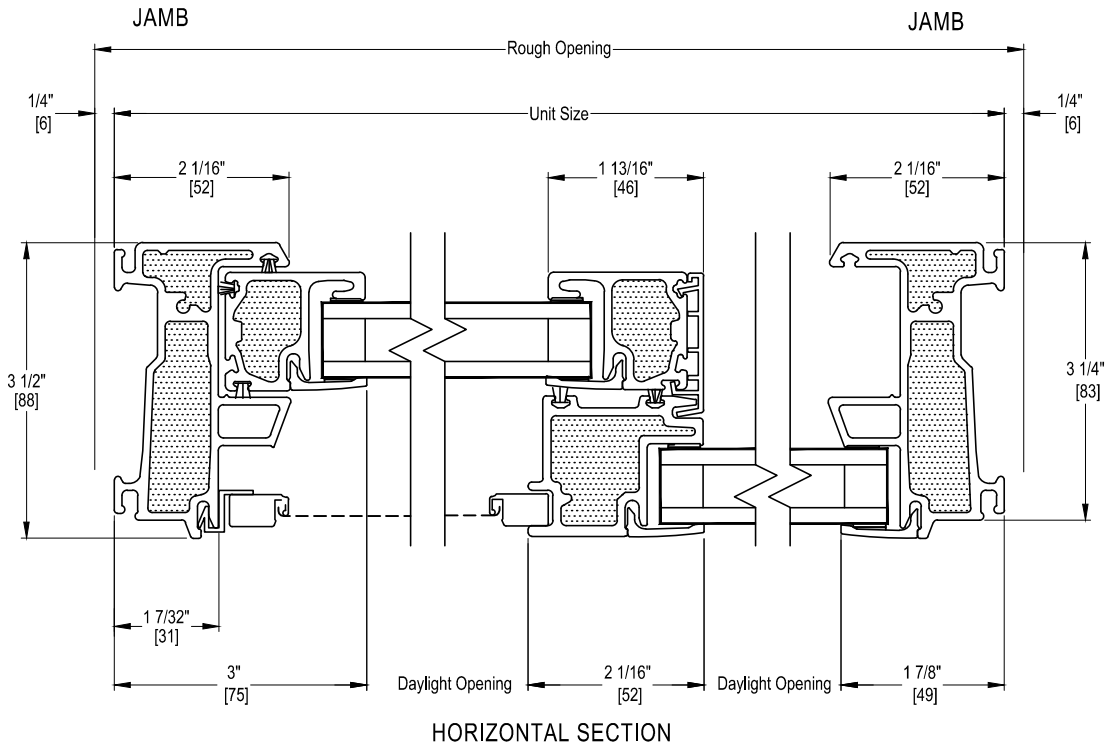
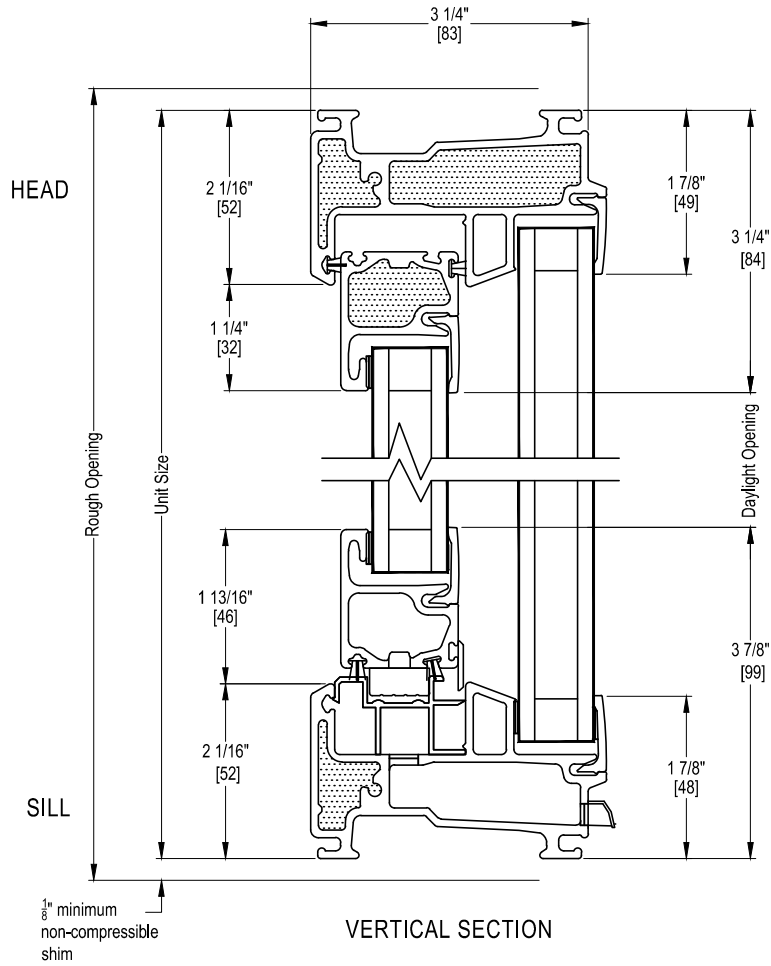
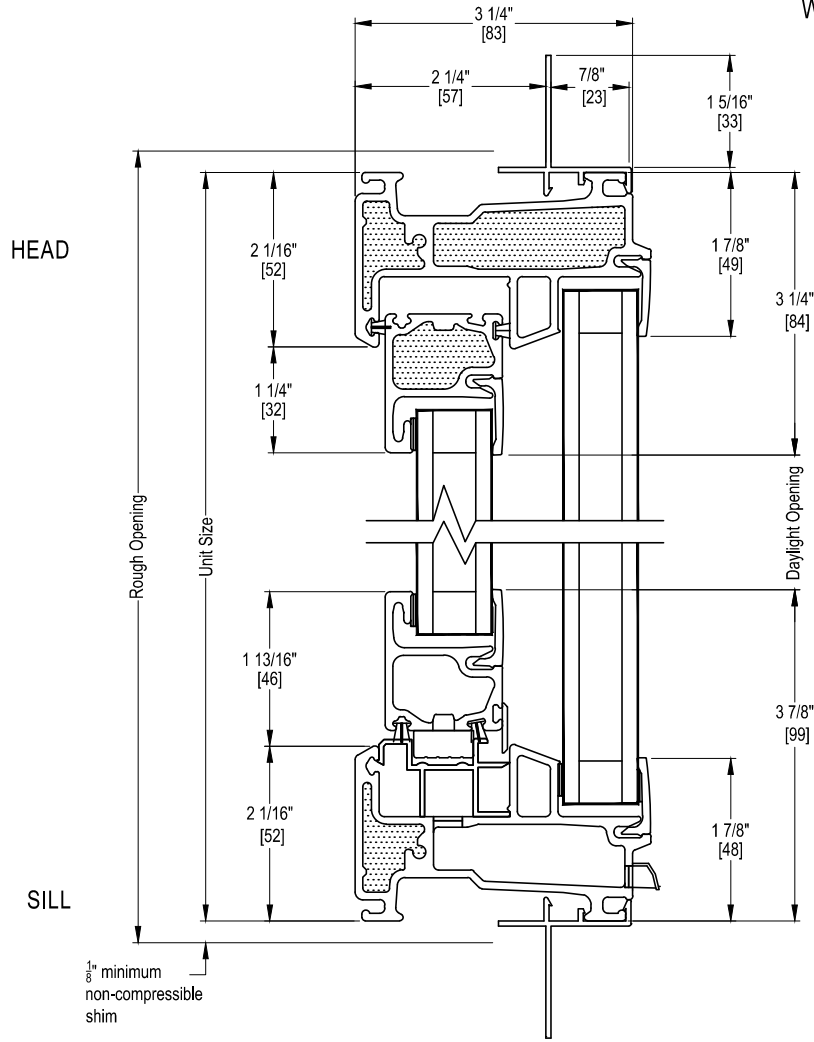
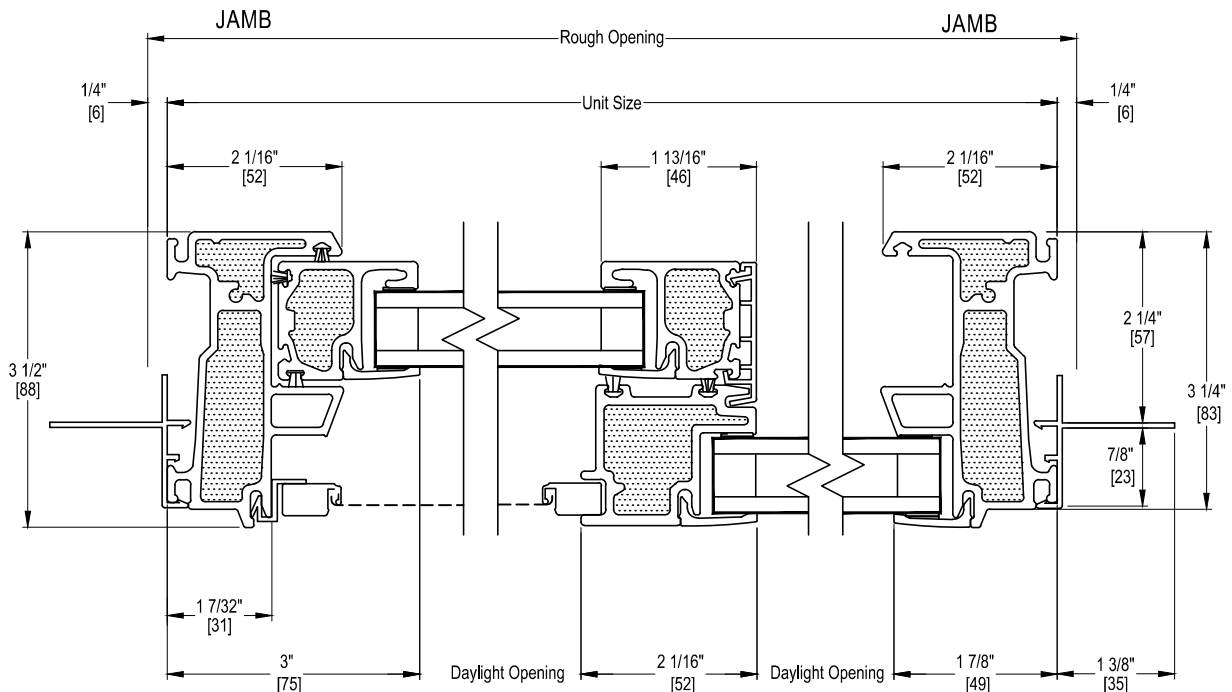


WINDOW DETAILS: SECTIONS AND DIMENSIONS



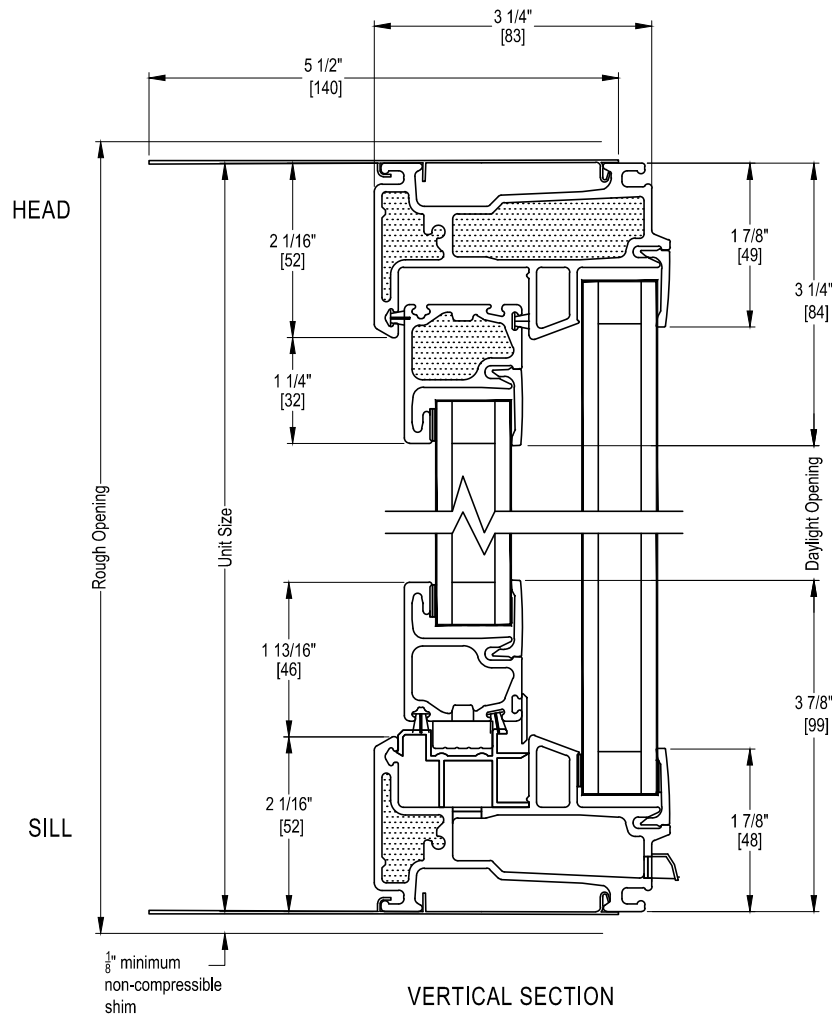


VERTICAL SECTION

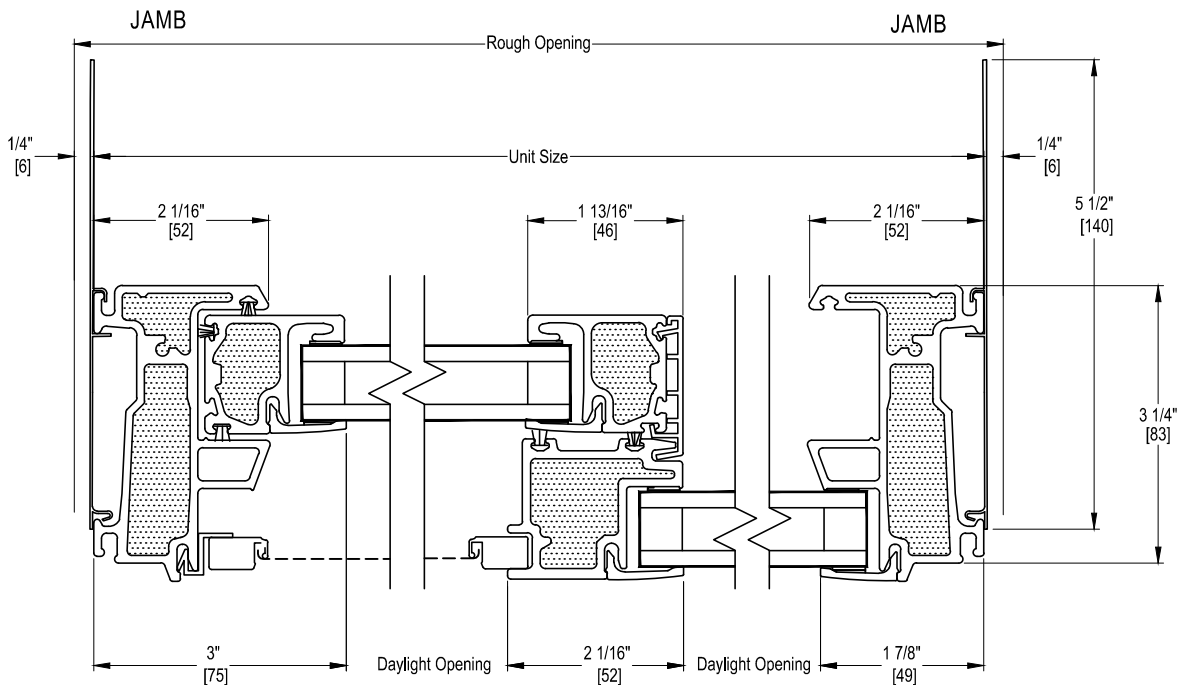


HORIZONTAL SECTION

WINDOW DETAILS: FIELD APPLIED ANCHOR STRAPS

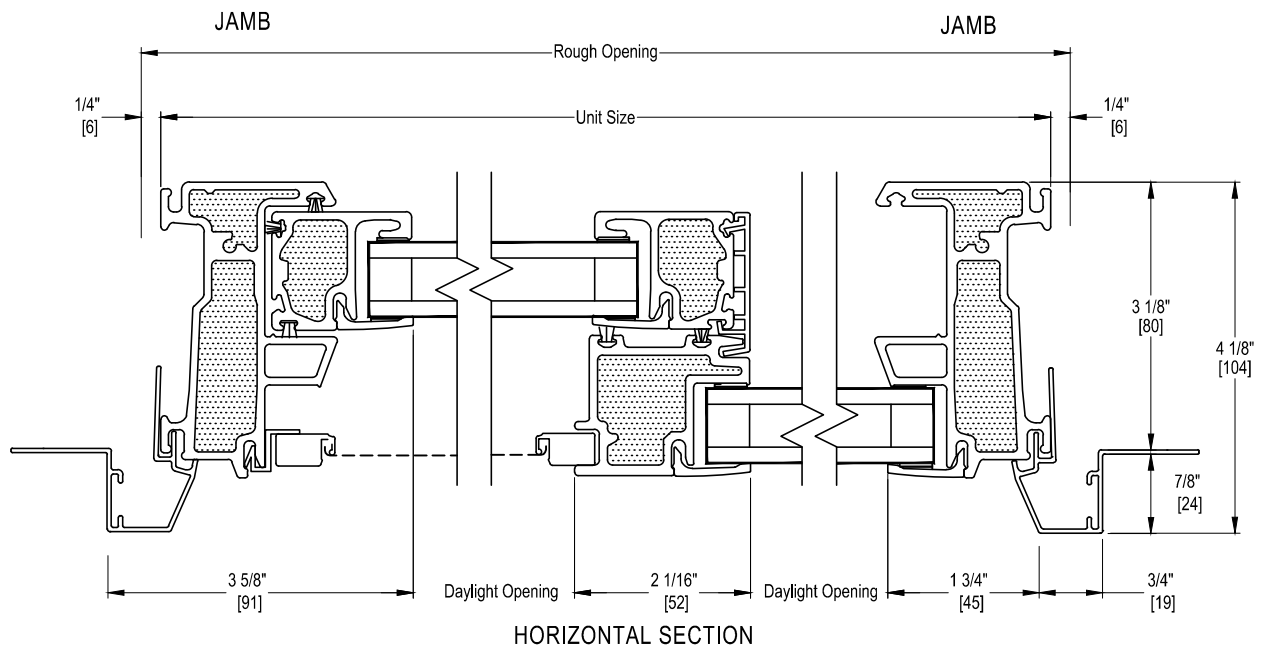
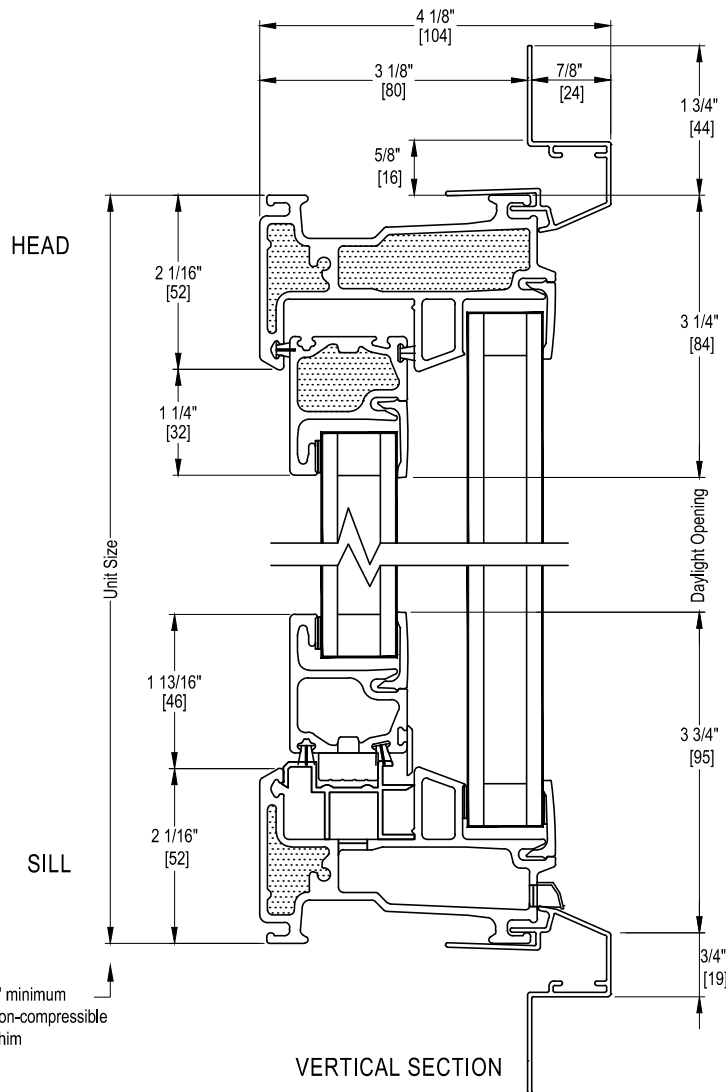


VERTICAL SECTION



HORIZONTAL SECTION

WINDOW DETAILS: ALUMINUM BRICKMOULD WITH FIN



WINDOW DETAILS: ALUMINUM BRICKMOULD WITHOUT FIN

